



Dolphin Pro X2 240v Cb Aus

Item #	Item Number	Description
01	9995723	Handle Assy Prox 2
02	9995740-ASSY	Handle Float - Black
03	9995071-ASSY	Welded -Impeller Tube-Black
04	3865005	Hexagon Adaptor For D Type Shaft
05	3883645	Pulley For Flat Shaft - Tt
06	3917031	Handle Clip Spring
07	9985057	Handle Latch Black
08	9985065	Handle Arm Slide
09	9981084	Side Panel Orange For Prox 2
10	3884997	Guide Wheel
11	9985006	Track - Timing Track Grey
12	Kit Options	
. 12(01)	6101635	Brush Pvc Dyn Grey
. 12(02)	6101656	Brush Pvc Dyn Grey Cb
. 12(03)	6101611	Brush Wb Ring For Cb
. 12(04)	9995560-ASSY	Brush Wb - Dyn - Pair
13	99955957-ASSY	Wheel Assy Dyn Pro-X2 2010 Tt
. 13(01)	3884073-ASSY	Diag. Basic -Wheel Bearing
. 13(02)	3885000	Diag.Basic Stopper Ring
. 13(03)	6101912	Pvc Tube For Dyn.Tt Wheel Assy
. 13(04)	6101916	Pvc Tube-Thick For Dyn Pro-X
. 13(05)	3884078	Wheel Bearing Dyn Tt
. 13(06)	9980039	Adaptor For W.Bearing Prox 2
14	9985280	Non Return Flap Diag-Grey
15	5581014	Ss Shaft For Prox 2 Wheel Assy
16	9980039	Adaptor For W.Bearing Prox 2
17	9981430	Filter Bag Clip
18	Kit Options	
. 18(02)	9995431-ASSY	Filter Bag Coarse - Assy Dig Dyn
. 18(03)	9995430-ASSY	Filter Bag Assy For Diag And Dyn
. 18(04)	9991440-ASSY	Filter Bag Disp Kit Of 5 Dig Dyn
. 18(05)	99954304-ASSY	Filter Bag For Ts For Diag Dyn
. 18(06)	99954308-ASSY	Filter Bag Dolphin 70m'
19	9995550	Bottom Lid Assy + Support 2005
. 19(01)	9985442	Base For Non Return Flap New BI
. 19(02)	3917014	Bottom Lid Spring
. 19(03)	3966012	Filter Bag Support
. 19(04)	9985460	Lock For Filter Bag Support
. 19(05)	9985441	Non Return Flap For New BI
. 19(06)	9985444	Bottom Lid New
. 19(07)	9985445	Bracket For Bottom Lid
. 19(08)	9985443	Spring For New Bottom Lid
. 19(09)	9981242	Washer For Spring New BI
. 19(A)	3303008-A	Screw Ka30x8
20	6203703	Filter Screen
22	9991279	Retrofit For Cable Conn.-3 Pin



Dolphin Pro X2 240v Cb Aus

Item #	Item Number	Description
. 22(01)	9985048	Cable Conn.Three Pin
. 22(02)	1811404	Cable Connector
. 22(03)	9985027	Plastic Washer 7mm X 2mm
. 22(04)	3861002	Rk Ring For Cable Conn.
. 22(05)	9980025	Washer-Inside Dia. 13mm
. 22(06)	9980041	Screw - Bolt Mu Cable Connector
23	Kit Options	
. 23(01)	9995335RD-ASSY	Mu Dyn Dc Pro-X Rd Assy
. 23(02)	9995332RD-EX	Mu Dyn Dc Pro-X Ex Rd
24	3965030	Wire Clip
25	9995269	Impeller+screw Dc
26	9995041	Side Panel W.C.F. Prox 2
27	Kit Options	
. 27(01)	9995747LF-ASSY	Cable: Swivel Assy Dynamic 30m'
. 27(02)	9995755LF-ASSY	Cable: Swivel Assy Dynamic 35m'
. 27(03)	9995791-ASSY	Cable Swv Dyn 1.2m'
. 27(04)	9995821	Swivel Dyn 1.2m Assy-Kit Of 5
. 27(05)	9995875-DIY	Cable And Swv Diy 30m Dyn Basic
28	9995821	Swivel Dyn 1.2m Assy-Kit Of 5
29	9995090	Cable Float Assy
30	5000009	Amphenol Plug
31	3865006	Grommet 500
32	Kit Options	
. 32(01)	8000209	Sticker Logo Prox 2
. 32(02)	8210020	Cd - Instructions Dol.-Plus/Pro
. 32(03)	8420081	Carton Box For Prox 2
. 32(04)	3870010	Oc Ss Strengthner For 2x2
. 32(05)	99951803	Outer Casing Prox 2
. 32(06)	9993180	Upgr Kit Prox To Prox2
33	6101916	Pvc Tube-Thick For Dyn Pro-X
34	9991069-ASSY	Cable Holder Kit
35	9995671-AU-ASSY	Ps Dyn Reset Aus 2010
. 35(01)	5020012	Amph. Socket Cover For P.S
. 35(02)	5020011	Amph. Socket For P.S
. 35(03)	5898423LF-ASSY	Cable Switching P.S+rcd - Aus
. 35(A)	3379212-A	Screw Ka30x12
36	99954226-ASSY	Rcu Dyn 2010
37	9996092	Caddy Dolphin
. 37(01)	6101900	Handle For Caddy
. 37(02)	9986055	Caddy Horn - Grey
. 37(03)	7300305	Aluminium Tube For Caddy
. 37(04)	9986040	Caddy Tower
. 37(05)	9996079	Wheel Assy For Caddy
. 37(06)	9956090	Caddy Base - Grey
. 37(08)	9987003	Rc Holder Clip
. 37(A)	3600940	Flat Washer 7.4x22x2.0



Dolphin Pro X2 240v Cb Aus

Item #	Item Number	Description
. 37(B)	3307025	Screw Ka70x25 H Cross
38	9980038	Caddy Adaptor For Ps 2010
39	9980763	Rcu 2010 Holder For Caddy
A	3379720-A	Screw Ka50x20
B	3379616-A	Screw Ka50x16
D	3154414-A	Screw M4x14 - 7985
LPS	9995663AU-ASSY	Ps Dyn Dc 240v Au
. LPS(01)	9986005	Ps Housing Mark 2-With Display
. LPS(02)	1862230	Switch 1.2a For Ps 230vac
. LPS(03)	5102002	Switch Cover Flange For P.S
. LPS(04)	5102002	Switch Cover Flange For P.S
. LPS(09)	5020011	Amph. Socket For P.S
. LPS(10)	5020012	Amph. Socket Cover For P.S
. LPS(11)	4190017	Clamp For Heat Sink Mark 2 P.S.
. LPS(12)	9995129LF	Pcb Card Assy 230v Dyn Reset Ps
. LPS(13)	1353510LF	Bridge Ps Rect. 1000v/35a
. LPS(14)	N.A.C.M	Non Available For Current Model
. LPS(15)	4191058	Heat Sink For P.S Mark 2
. LPS(17)	9995938	Antenna Assy For Dyn Ps Mark 2
. LPS(18)	5050107	Cable Conn. Nut For Mark-ii
. LPS(19)	3860221	Oring For Ps Cable 22x1.5
. LPS(20)	5898405LF	Cable For P.S -Aus-Tough Gromet
. LPS(22)	9995112LF	Pcb Dyn Reset Pws Indicator Assy
. LPS(23)	N.A.C.M	Non Available For Current Model
. LPS(24)	9995893LF	Mark2 P.Supp Dyn Wiring Assy
. LPS(A)	3379410-A	Screw Wn1412 A2 Ka40x10
. LPS(B)	3302506	Screw Covered Ka25x6
. LPS(D)	3379212-A	Screw Ka30x12
. LPS(E)	3153310	Screw M3x10-7985 Rohs Plated
. LPS(F)	3000516	Screw Form-H M5x16z.P.
. LPS(G)	1834137	Pcb Post Nylon P.Supp 2x2
. LPS(H)	3379450-A	Screw Ka40x12
. LPS(I)	3153508	Screw M5x8 - 7985
. LPS(J)	3153512	Screw Wiz. M5x12 Din965a Form H
. LPS(K)	3153512	Screw Wiz. M5x12 Din965a Form H
NDS	Kit Options	
. NDS(01)	3884073-ASSY	Diag. Basic -Wheel Bearing
. NDS(02)	6101912	Pvc Tube For Dyn.Tt Wheel Assy
. NDS(03)	3885000	Diag.Basic Stopper Ring
. NDS(04)	3883645	Pulley For Flat Shaft - Tt
. NDS(5A)	9985006	Track - Timing Track Grey
. NDS(5B)	9985007	Track - Timing Track Yellow
. NDS(OPT1)	9993196	Upgr Drive Sys-2007 Dyn Yellow
. NDS(OPT2)	9993197	Upgr Drive Sys-2007 Dyn Grey
RCU	9995405	Rcu Dolphin Pro X
. RCU(01)	9992302	Screw Kit For Rcu

Dolphin Pro X2 240v Cb Aus

Item #	Item Number	Description
. RCU(02)	9987005	Cork For Universal Rc Back Panel
. RCU(07)	9995428	Joystick Pcb Assy
. RCU(08)	9995416-ASSY	Rcu Battery Cover Assy
RPS	9995663RD-AU	Power Supply Dyn+res 240v Rd
. RPS(01)	9987022	Bezel For D.Basic Ps Swith Cover
. RPS(02)	9987023	Switch Cover For D.Basic Ps
. RPS(03)	1869595	Sw Rocker 20a For 250v Ps
. RPS(04)	9986007	Ps Housing Db + Display
. RPS(05)	9986003	Seal For Ps Display Win.
. RPS(06)	9995112LF	Pcb Dyn Reset Pws Indicator Assy
. RPS(07)	9995893LF	Mark2 P.Supp Dyn Wiring Assy
. RPS(08)	5020012	Amph. Socket Cover For P.S
. RPS(09)	9991241	Wires Blk,Wht,Red For Ps Plug
. RPS(10)	9995129RD	Pcb Card Assy - Dyn Reset Ps
. RPS(11)	2151294	Cable Tie Holder Base With Glue
. RPS(12)	2151293	Cable Tie White Yj-115
. RPS(14)	1834138	Spacer Support For Pcb M4x16
. RPS(15)	1353510LF	Bridge Ps Rect. 1000v/35a
. RPS(16)	4191058	Heat Sink For P.S Mark 2
. RPS(18)	2151207	Cable Clamp 11.1mm N/N-Bk
. RPS(20)	5931035	Od10x35mm Heat Shrink Tube
. RPS(21)	5898405LF	Cable For P.S -Aus-Tough Gromet
. RPS(22)	3860221	Oring For Ps Cable 22x1.5
. RPS(24)	3860000	Seal Oring 16.5x12.8 Fuse Housin
. RPS(25)	1930126	Fuse Glass-5x20 1.25a Slow Blow
. RPS(26)	1930217	Fuse Housing + Wiring Assy 2009
. RPS(28)	5931135	Id11x35mm Heat Shrink Tube
. RPS(29)	9995938	Antenna Assy For Dyn Ps Mark 2
. RPS(A)	3379410-A	Screw Wn1412 A2 Ka40x10
. RPS(C)	3302506	Screw Covered Ka25x6
. RPS(D)	3379212-A	Screw Ka30x12
. RPS(E)	3153508	Screw M5x8 - 7985
. RPS(F)	3000516	Screw Form-H M5x16z.P.
. RPS(G)	3379450-A	Screw Ka40x12
. RPS(H)	3153512	Screw Wiz. M5x12 Din965a Form H
. RPS(I)	3153512	Screw Wiz. M5x12 Din965a Form H



Rainbow Pool Products

PO Box 2388, Mansfield Qld 4122

Telephone STD 61-7-3849 5385

Facsimile STD 61-7-3849 5384

Email: info@rainbowpoolproducts.com.au

Web: www.rainbowpoolproducts.com.au

Dolphin Pro X2 240v Cb Aus

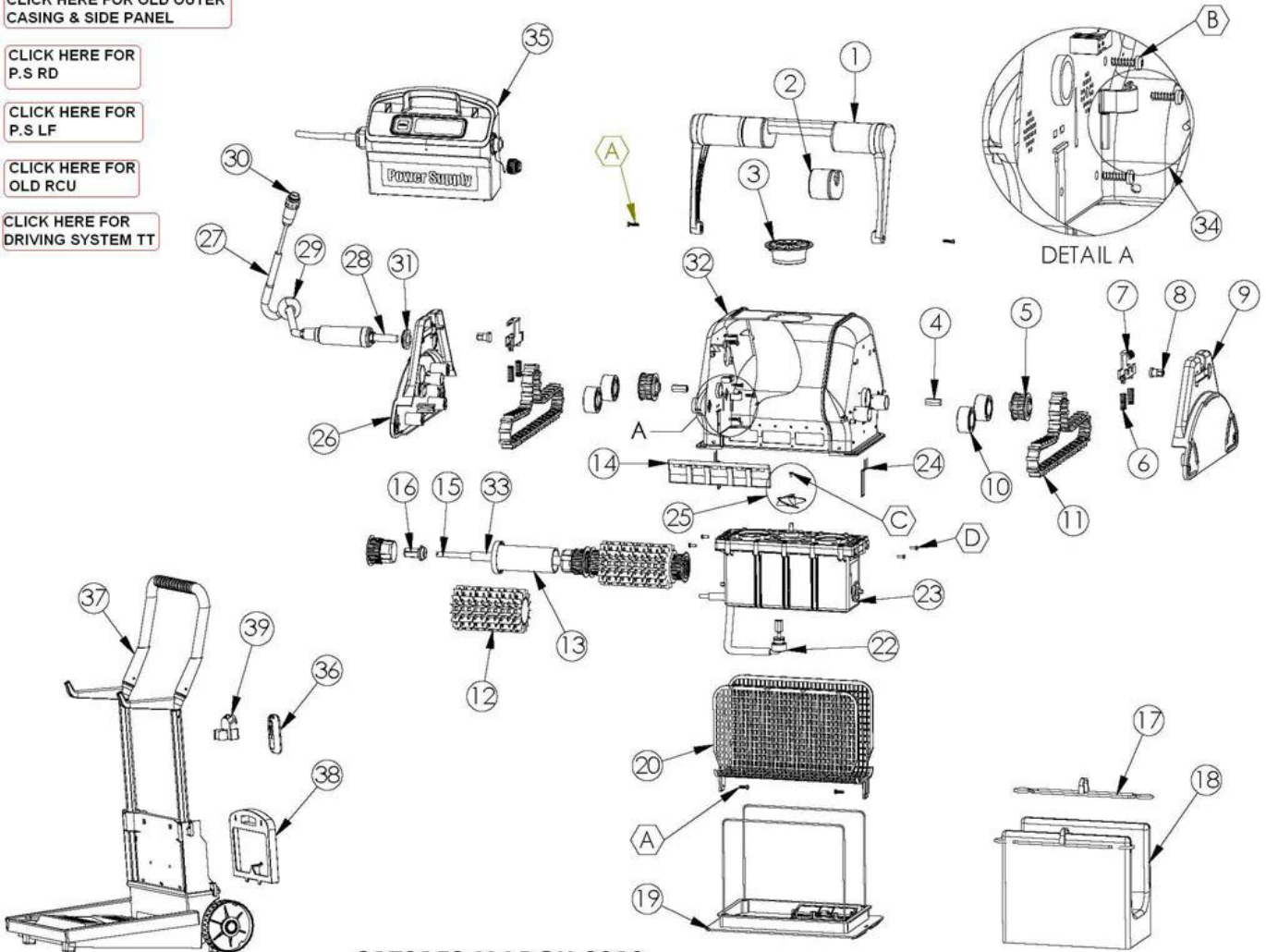
[CLICK HERE FOR OLD OUTER CASING & SIDE PANEL](#)

[CLICK HERE FOR P.S RD](#)

[CLICK HERE FOR P.S LF](#)

[CLICK HERE FOR OLD RCU](#)

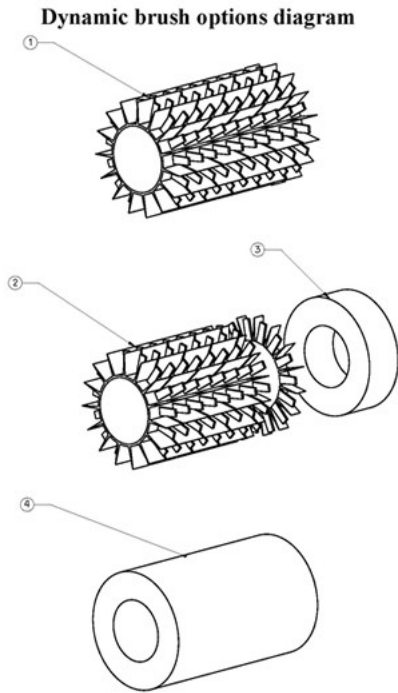
[CLICK HERE FOR DRIVING SYSTEM TT](#)



8170152 MARCH 2010

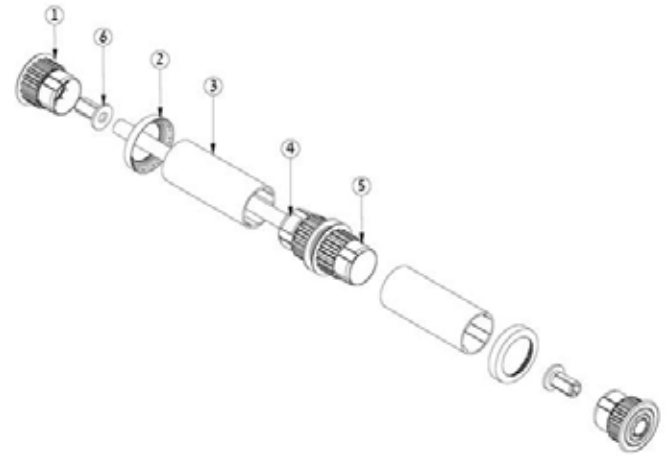
Dolphin Pro X2 240v Cb Aus

#12 (brushes- dyn grey -catalog kit)



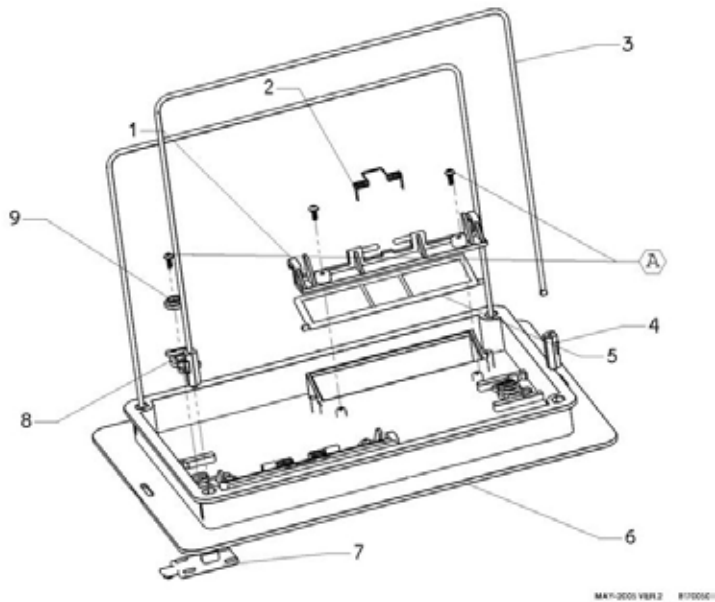
January 05 P/No 8170054

#13 (wheel assy dyn pro-x2 2010 tt)



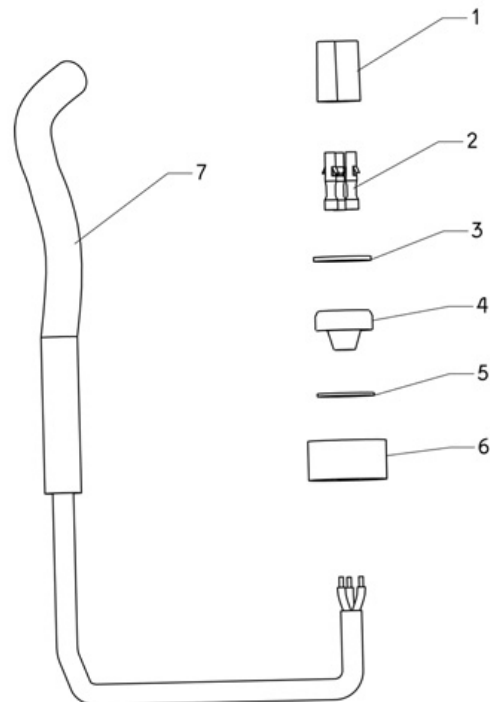
#17105 - WHEEL ASSY DYN PRO-X2

#19 (bottom lid assy + support 2005)



MAY-2005 VBR L2 #17050C1

#22 (retrofit for cable conn.-3 pin)

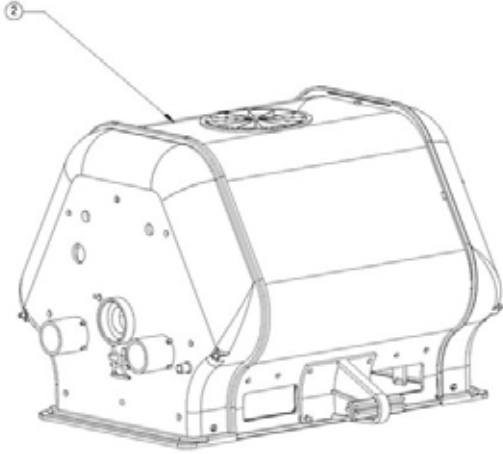


September 2004 - 8170051

Dolphin Pro X2 240v Cb Aus

#32 (oc- dol.prox 2 - catalog kit)

Dolphin Dynamic Outer Casing (OC) diagram



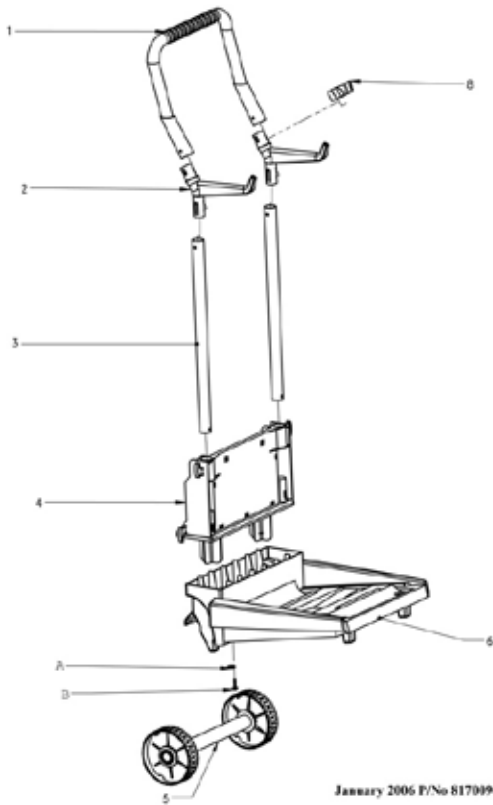
January 05 P/No 8170056

#35 (ps dyn reset aus 2010)



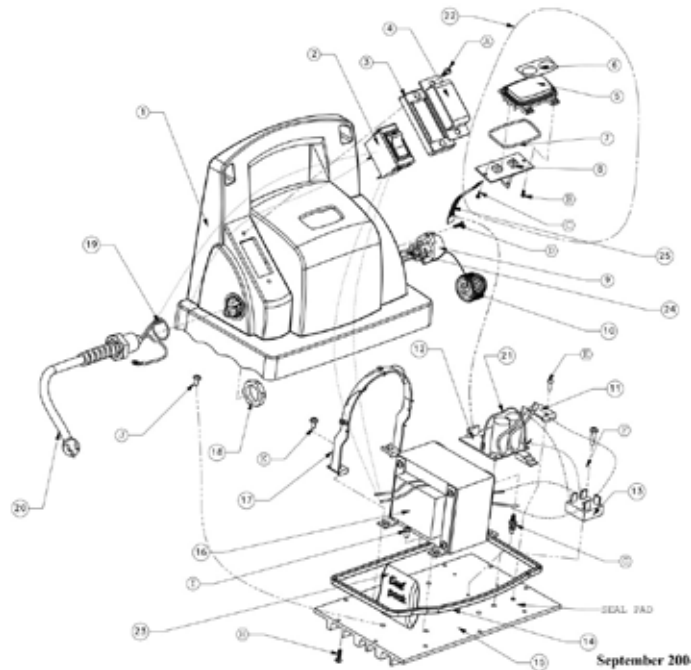
8170149 - JANUARY 2010

#37 (caddy dolphin)



January 2006 P/No 8170996

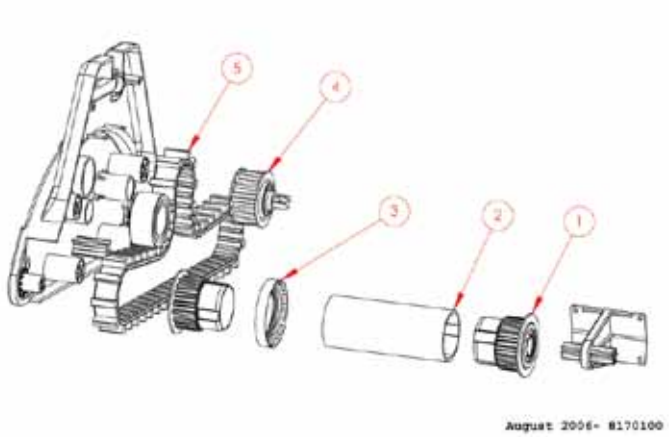
#LPS (ps dyn dc 240v au)



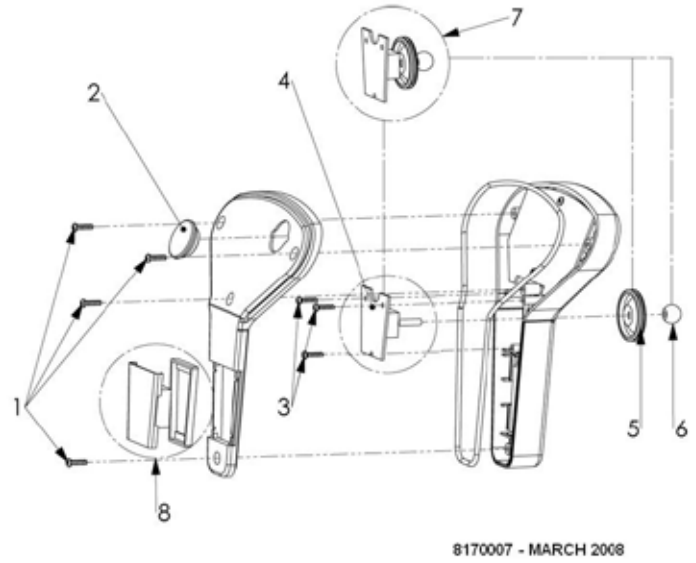
September 2004 - 8170018

Dolphin Pro X2 240v Cb Aus

#NDS (dyn tt drive sys cat. kit)



#RCU (rcu dolphin pro x)



#RPS (power supply dyn+res 240v rd)

